

CHOC LIGHT



BCT-SLC1.0-A



Light energy charging



Always bright on rainy days



Wide lighting range



Clean Energy

10 Years
Warranty

► Product Parameters

Product name	20W Solar Choc Light
Model	BCT-SLC1.0-A
Solar panel	60W(Mono)
Panel size	590×525×30×25 mm
Battery	3.2V/25(±5)Ah LiFePO ₄ Battery
Light power	2300lm (Common 20W LED)
Lighting time	6+X/Intelligent power control, and can use remote control to adjust brightness and working mode.
Installation height	4-5m
Installation distance	15-20m
Gross weight	5.3kg
Lamp life	100000 hours
Installation diameter	φ60(±3) mm
Product Size	558×253×92mm
Carton size	577×288×275mm (4 pcs/carton)
Solar panel carton size	605×540×140mm (4 Pcs/carton)
Beam angle	bat wing 150*70°
CRI	Ra70
Color temperature	6500K,4000K
IP rating	IP65
IK level	IK08
Operating temperature	-40°C~70°C
Working humidity	10%-90%

*Note: The above data are typical values. The actual product weight will have an error of about 5%.

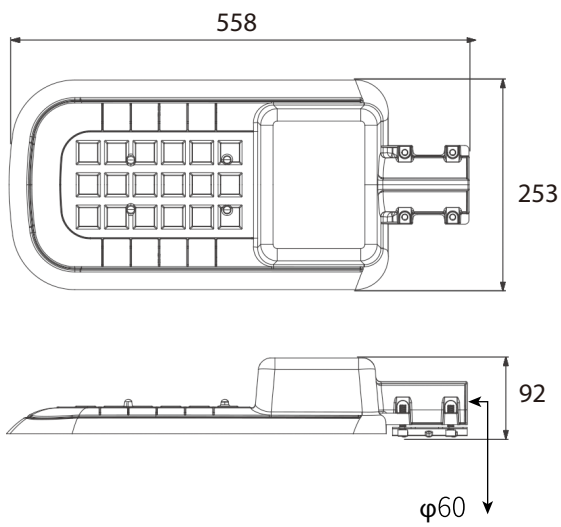
Product Display



► Product Size:

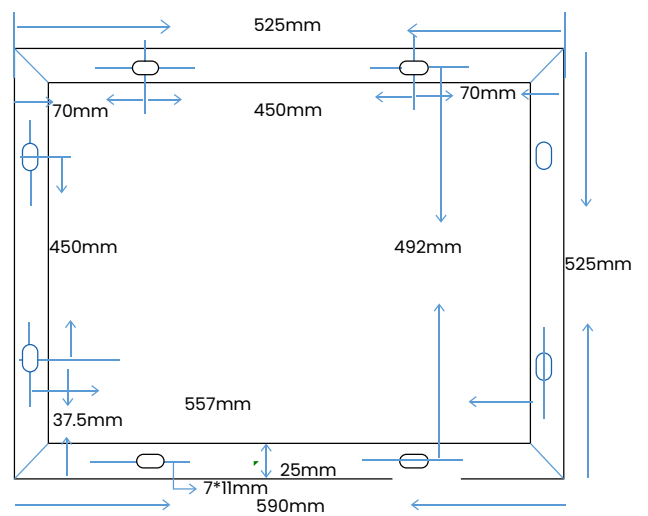
- Lamp head size chart

Unit:mm

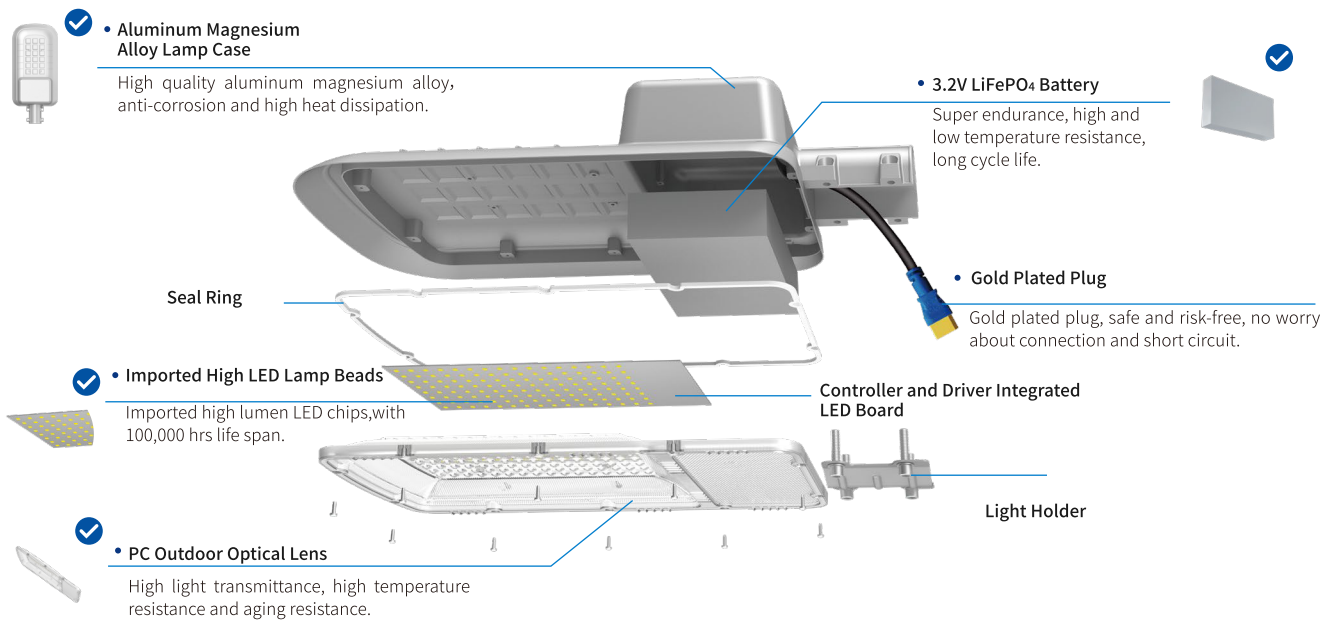


- Solar panel size chart

■ 590×525×30×25 mm



► Product Details Display



- Original patent design, independent mould.
- All night lighting. The light never be off no matter how many rainy or cloudy days.
- The light can be installed from Equator area to Polar regions. The working temperature is -40-70°C
- Integrated design, modular production.
- Low voltage design, safe and Reliable.
- Integrated package, convenient transportation.

► Installation Case

Applicable place:

It is widely used in streets and roads, residential areas, scenic spots, parks, squares, private gardens and other public places.

The product is easy to install, no auxiliary lines required, energy saving and environmental protection, no electricity charge, long service life.

Choc Light



