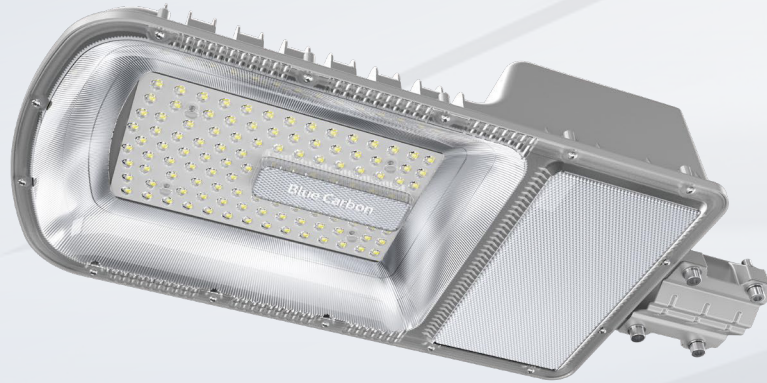


CROSSBOW LIGHT



BCT-OLC2.0

Patent Number: ZL 2019 3 0523672.4



Light energy charging



Always bright on rainy days



Wide lighting range



Clean Energy

► BCT-OLC2.0-A

*Battery may be stored up to 3 months then a freshening charge is required.

Product name	30W Crossbow Light	30W Crossbow Light	50W Crossbow Light
Model	BCT-OLC2.0-A	BCT-OLC2.0-A	BCT-OLC2.0-B
Solar panel	70W (Mono)	90W (Mono)	105W (Mono)
Panel size	590×630×30×25 mm	590×780×30×25 mm	780×680×30×25 mm
Battery	3.2V/50(±5)Ah LiFePO ₄ Battery	3.2V/50(±5)Ah LiFePO ₄ Battery	3.2V/70(±5)Ah LiFePO ₄ Battery
Light power	3200lm (Common 30W LED)	3200lm (Common 30W LED)	5400lm (Common 50W LED)
Lighting time	6+X/Intelligent power control, and can use remote control to adjust brightness and working mode.		
Installation height	5.5-6m	6-7m	8-9m
Installation distance	25-30m	30-35m	35-40m
Gross weight	8.68kg	8.68kg	11.44kg
Lamp life	100000 hours		
Installation diameter	φ60(±3) mm		
Lamp size	578×251×107 mm		
Lamp carton size	595×295×275mm (4pc/carton)		
Solar panel carton size	645×605×140mm (4 Pcs/carton)	645×605×140mm (4 Pcs/carton)	795×695×140mm (4 Pcs/carton)
Beam angle	bat wing 150°*70°		
CRI	Ra70		
Color temperature	6500K,4000K		
IP rating	IP65		
IK level	IK08		
Operating temperature	-40°C~70°C		
Working humidity	10%~90%		

*Note: The above data are typical values. The actual product weight will have an error of about 5%.

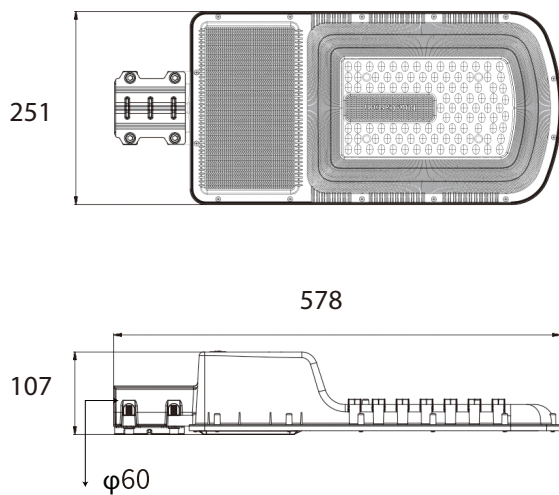
Product Display



► Product Size:

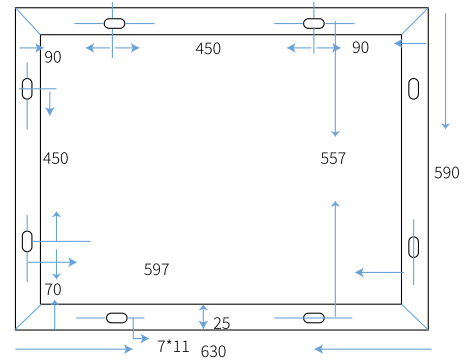
• Lamp head size chart

Unit:mm

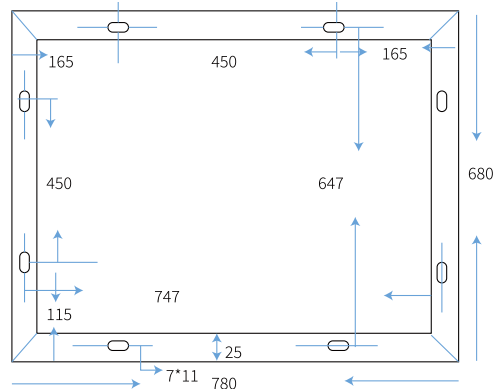


• Solar panel size chart

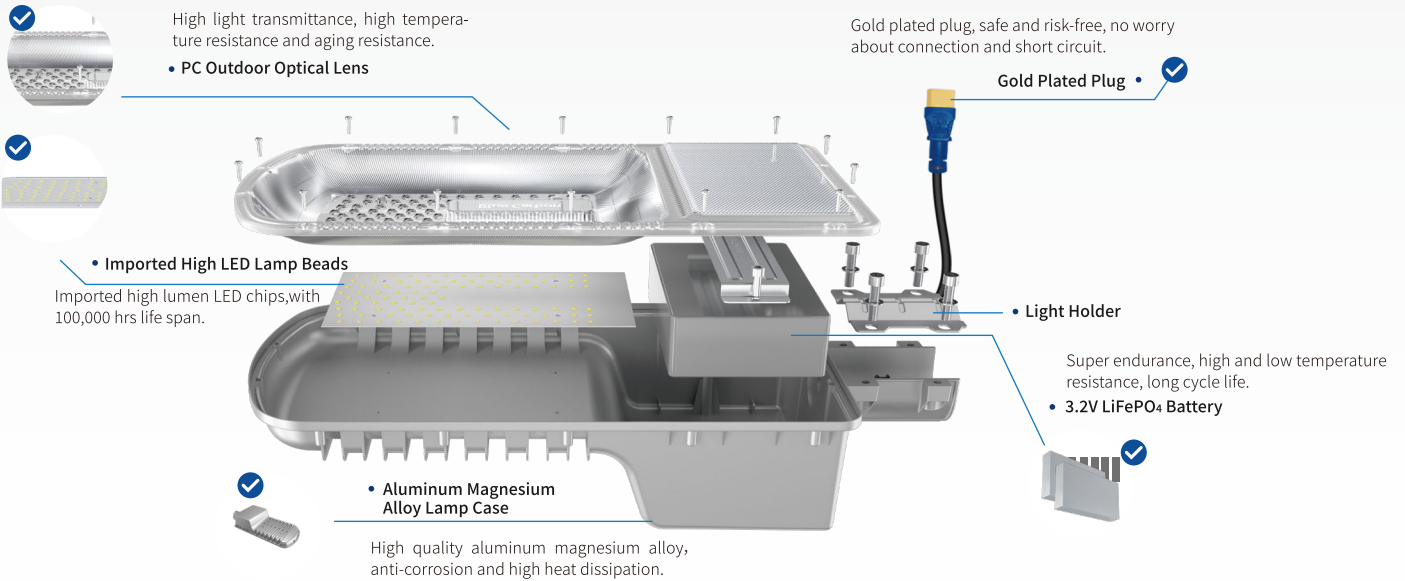
■ 590×630×30×25 mm



■ 780×680×30×25 mm

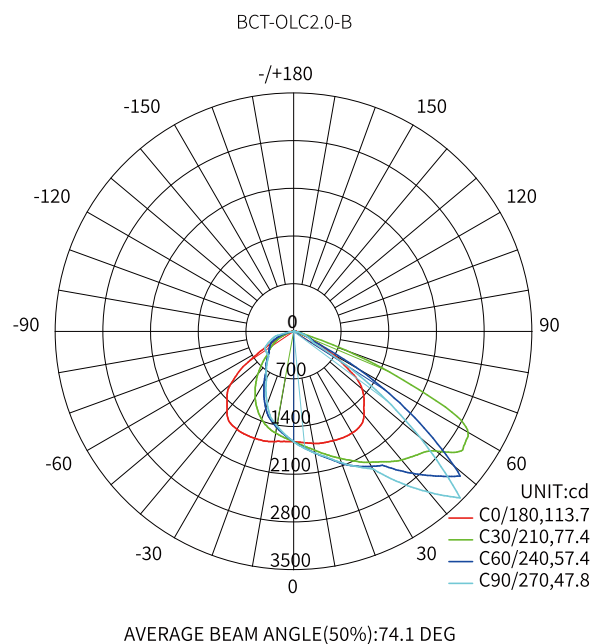
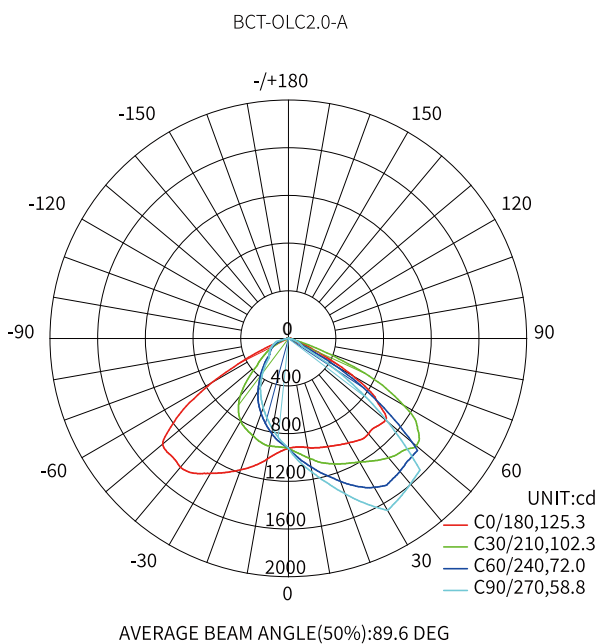


► Product Details Display



- Original patent design, independent mould.
- All night lighting. The light never be off no matter how many rainy or cloudy days.
- The light can be installed from Equator area to Polar regions. The working temperature is -47-70°C
- Integrated design, modular production.
- Low voltage design, safe and Reliable.
- Integrated package, convenient transportation.

► IES



► Installation Case

Applicable place:

It is widely used in streets and roads, residential areas, scenic spots, parks, squares, private gardens and other public places.

The product is easy to install, no auxiliary lines required, energy saving and environmental protection, no electricity charge, long service life.

Crossbow Light



▲ Shandong, China



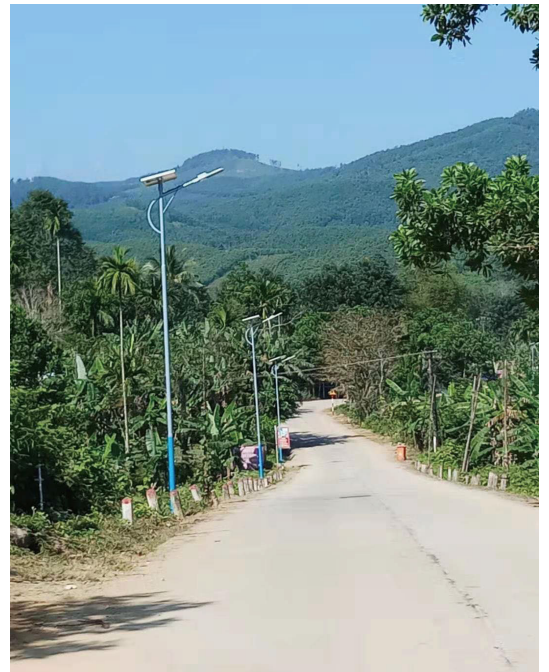
▲ Henan, China



▲ Egypt



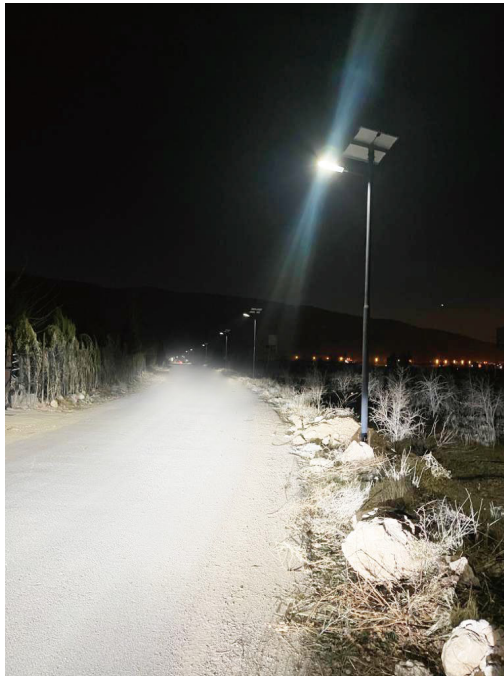
▲ Oman



▲ Vietnam



▲ India



▲ Iran



▲ Ghana